



GRABS

Multi Grab Bucket

No standard attachment, this is a highly durable, heavily constructed bucket with a 'thumb' fitted for extra functionality. It is an extremely advanced concept, well ahead of any other product on the market, as it allows for the operator to pick up items and still move within the full crowding area of the excavator.

1

Removable Teeth

Include removable teeth so it is easy to replace the main wearing parts.

2

ATTACH

test of time.

3

High capacity ram with integrated check valve

These grabs are fitted with extra large high capacity ram , ensuring the best grabbing capabilities and nothing can be dropped

4

Heavy duty leading edges and Gate

All grabs are fitted with heavy duty BIS 400 leading edges and GET, ensuring the durability of grabs and increasing the grabbing capabilities.

5

High quality hydraulic compnents

All hydraulic compnents are high quality to ensure parts last for as long as possible reducing risk of damage or failure.

OPTIONAL EXTRAS



Hoses

hoses are available for connecting the attachments to the extra auxiliaries on the dipper arm.

ATTACH



360 Rotation

These grabs are available in a full 360-degree rotation for added benefits.

KEY BENEFITS

1

First to market

These grabs are the world's first of such type of grab, having already improved many companies, efficiency all over the world.

2

Large jaw opening

Having a very large jaw opening means these grabs have the capacity to pick up very large objects.

3

Size range

These grabs come in a large range of sizes suitable to fit excavators ranging from 2 tons up to 50 tons.

PHOTOS





SPECIFICATIONS

How to measure specs 101

Specs & Pricing

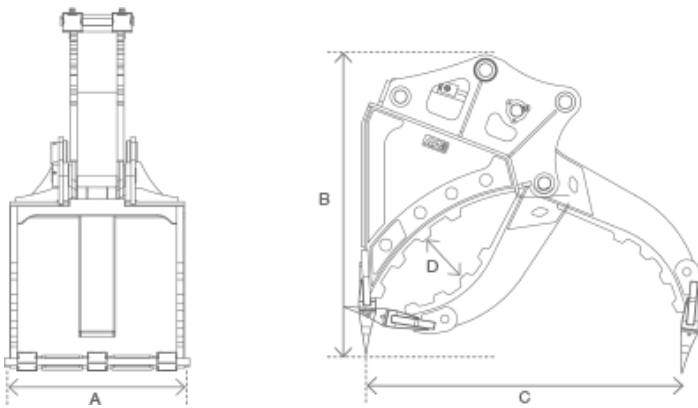
Multi Grab Bucket Specifications

Weight class	Code	Width (mm)	Weight (kg)	Capacity (struck)
3.0 - 3.9 Ton	MGB030	392	110	0.028
4.0 - 4.9 Ton	MGB050	506	305	0.09
Weight class	Code	Width (mm)	Weight (kg)	Capacity (struck)
5.0 - 5.9 Ton	MGB050	506	305	0.09
6.0 - 7.9 Ton	MGB060	545	408	0.17

10.0 - 13.9 Ton	MGB120	860	730	0.33
14.0 - 17.9 Ton	MGB200	900	1430	0.65
18.0 - 22.9 Ton	MGB200	900	1430	0.65
23.0 - 29.9 Ton	MGB250	900	1500	0.65
30.0 - 36.9 Ton	MGB300	943	1860	0.7

* All prices are in \$NZD, excluding GST and Freight. Pricing and specifications are subject to change without notice.

Multi Grab Bucket - Detailed Specifications



Product Code	Weight Class	Width (A) (mm)	Height (B) (mm)
MGB030	3–3.9 ton	392 mm	893 mm
MGB050	4–5.9 ton	506 mm	1,153 mm
MGB060	6–9.9 ton	545 mm	1340 mm
MGB120	10–13.9 ton	860 mm	1545 mm

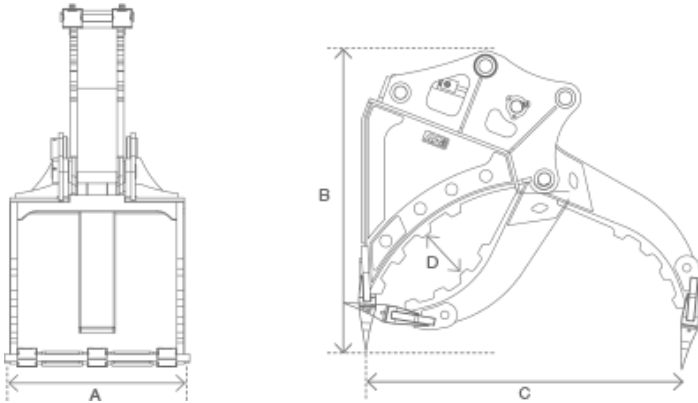
MGB200	14–22.9 ton	900 mm	1938 mm
MGB250	23–27.9 ton	900 mm	1938 mm
MGB300	23–32.9 ton	943 mm	2060 mm
MGB350	33–37.9 ton	1050 mm	2270 mm
MGB400	38–50 ton	1100 mm	2528 mm

Multi Grab Bucket (Rotating) Specifications

Weight class	Code	Width (mm)	Weight (kg)	Capacity (struck)
4.0 - 4.9 Ton	MGBR050	526	380	0.02
5.0 - 5.9 Ton	MGBR050	526	380	0.02
6.0 - 7.9 Ton	MGBR060	526	460	0.2
8.0 - 9.9 Ton	MGBR060	526	460	0.2
10.0 - 13.9 Ton	MGBR120	750	900	0.3
14.0 - 17.9 Ton	MGBR200	810	1464	0.65
18.0 - 22.9 Ton	MGBR200	810	1464	0.65
23.0 - 29.9 Ton	MGBR250	810	1464	0.65
Weight class	Code	Width (mm)	Weight (kg)	Capacity (struck)

* All prices are in \$NZD, excluding GST and Freight. Pricing and specifications are subject to change without notice.

Multi Grab Bucket - Detailed Specifications



Product Code	Weight Class	Width (A) (mm)	Height (B) (mm)
MGBR050	4–5.9 ton	526 mm	1377 mm
MGBR060	6–9.9 ton	526 mm	1377 mm
MGBR120	10–13.9 ton	750 mm	1787 mm
MGBR200	14–22.9 ton	810 mm	2296 mm
MGBR250	23–27.9 ton	810 mm	2296 mm
MGBR300	28–32.9 ton	943 mm	2463 mm



→ **Contact Us**

ATTACH2 EQUIPMENT

1 Norman Ave
PO Box 905
Masterton 5840
New Zealand
Freephone 0800 100 683
Phone +64 6 929 7592
Fax +64 6 370 3024
sales@attach2.co.nz

 [Linked In](#)

 [Facebook](#)

 [Youtube](#)

[Get Directions](#)